

# PRODUCT CATALOGUE



Simpy smart monitoring

FEBRUARY 2019

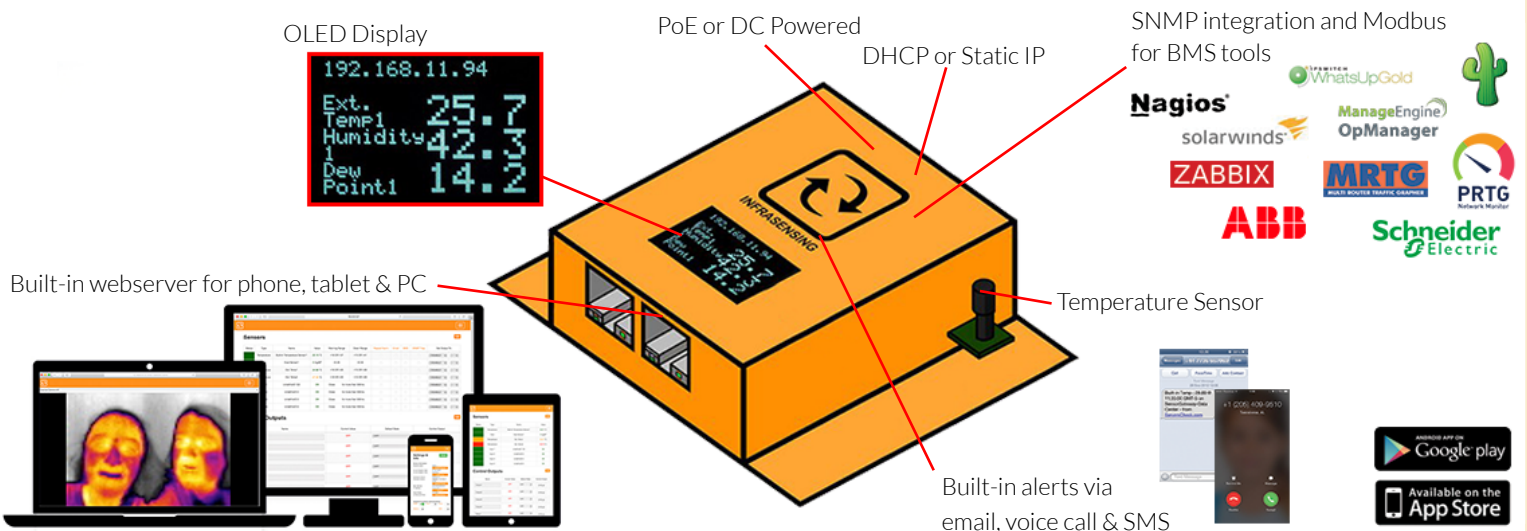


## SensorGateway



### BASE-WIRED

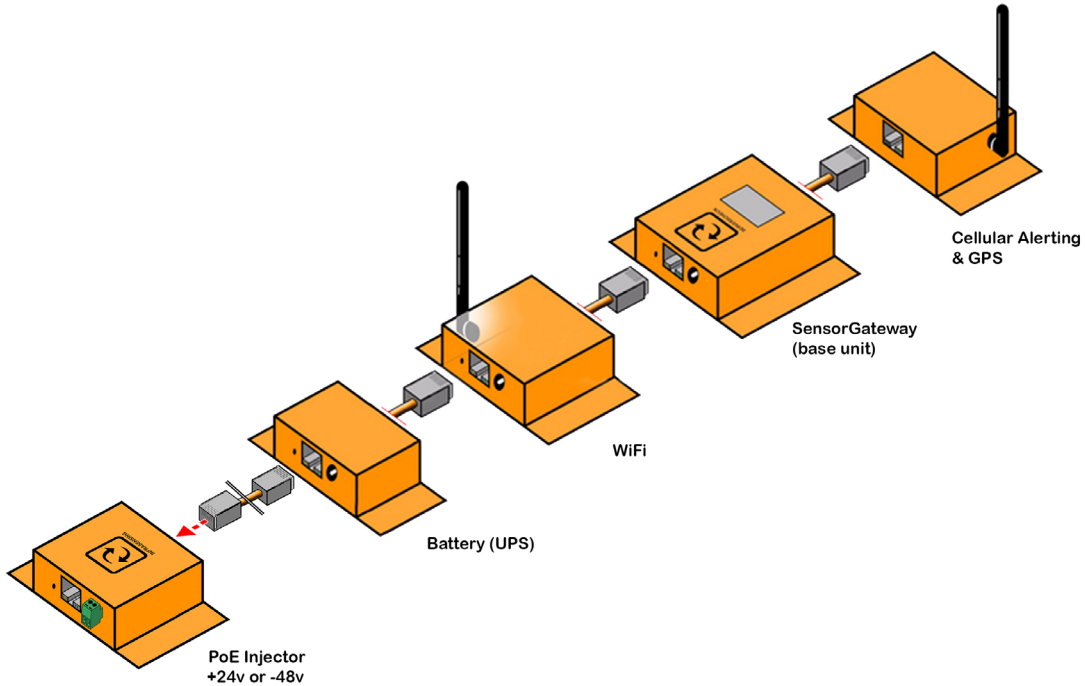
Display	OLED
Web Server:	HTTP
Security:	Built-in Firewall
Built-In Alerting:	email, SNMP Traps, SMS, call
Protocols:	SNMP v1,v2,v3
	Modbus TCP
	XML, JSON
Network:	IPv4 at 10/100 Mbps
External Probes:	2 optional probes
PoE:	IEEE 802.3af
Power Adapter:	12V DC
Operating Conditions	
Temperature:	0°C to 75°C / 32°F to 167°F
Humidity:	< 90% RH (non-condensating)
Embedded Temperature Sensor	
Resolution:	0.1°C / 0.18°F
Accuracy:	± 0.5°C from -10°C to +85°C ± 1°F from 14°F to 185°F degrees Celsius or Fahrenheit





The Sensorgateway, the base unit, requires by default a network cable and 12v DC or POE power input with network based alerting.

With the optional add-on modules, customers can add other network and power connectivity options to the base units. The Cellular Alerting & GPS modules enable to receive alerts even when your IP network is down and provides location data.



## DC Power Add-On (PoE injector)



ADDON-POE-24  
ADDON-POE-48

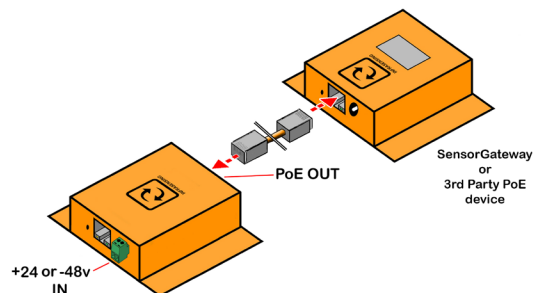


Power In:  
Power Out:  
PoE:

24v or -48v DC  
48v DC (max 22W)  
IEEE 802.3at Mode B  
10/100 Mbps network speed  
-40°C to +85°C (-40°F to +185°F)  
60 mm x 80 mm x 20 mm  
(2.75" x 3.74" x 0.78")  
metal

Temperature Operating Range:  
AddOn Housing Dimension:

AddOn Housing Material:



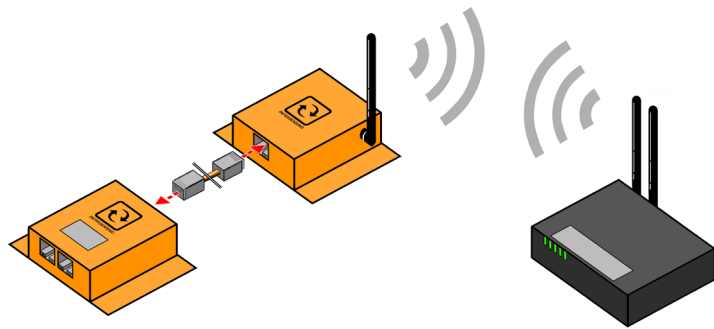


## Wifi Add-On



### ADDON-WIFI

Wifi Frequency:	2.4 GHz
Wifi Standards:	802.11 b/g/n
Temperature Operating Range:	-40°C to +85°C (-40°F to +185°F)
Housing Dimensions:	70 mm (2.75") x 95 mm (3.74") x 20 mm (0.78")
Housing Material:	metal

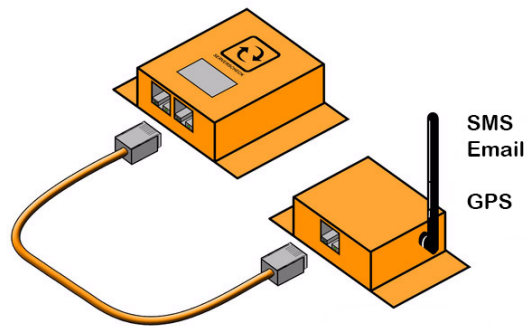


## Cellular Alerting & GPS Add-On



### ADDON-CELLALERT

LTE	CAT-M1/NB1 on bands B1, B2, B3, B4, B5, B8, B12, B13, B17, B18, B19, B20, B26, B28
2G Frequency:	850, 900, 1800, 1900
Position:	GPS, GALILEO
US Mobile Operator:	AT&T, Verizon
Modem Vendor:	Sierra Wireless
Regulatory Approval:	FCC, GCF, IC, JRF/JPA, NCC, PTCRB
Temperature Operating Range:	-40°C to +85°C (-40°F to +185°F)
Connection:	Connects to a sensor port of the base unit or expansion hub Powered by the base unit
Power:	Dual SIM support for redundancy
SIM card size:	Micro SIM (12 x 15mm)

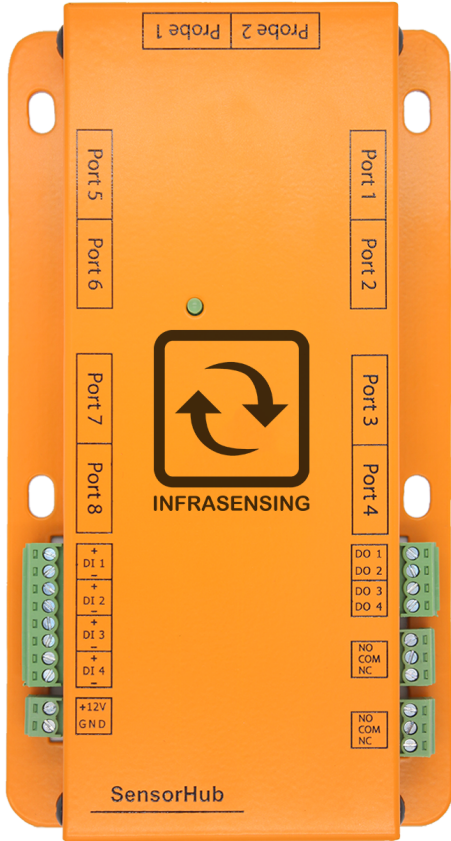


Cellular Alerting



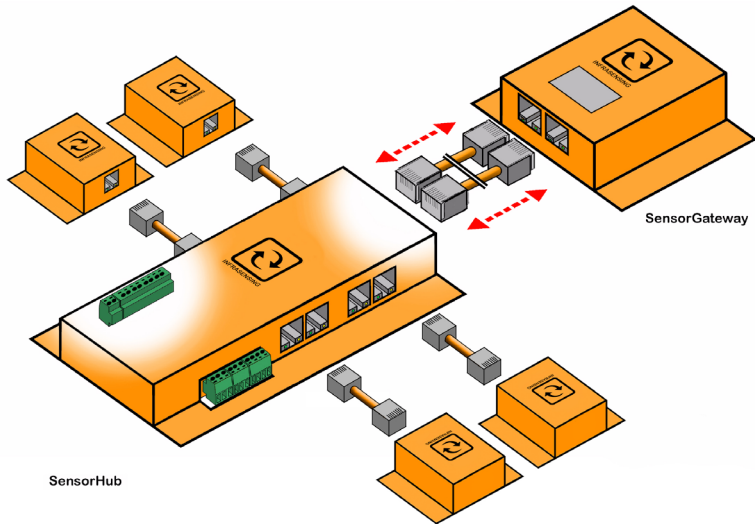


## Sensorhub for SensorGateway



### EXP-8HUB

Expansion ports for external sensor probes: 8  
 Dry contact input ports: 4  
 Dry contact output ports: 2 (digital sink 100mA)  
 Relay outputs: 2 (400VAC/150VDC and 200VA/192W)  
 Auxillary supply: maximum current capacity of 500mA at 9 to 12 VDC  
 Power consumption: 650 milliWatts  
 Dimensions: 165 mm (6.5") x 95 mm (3.7") x 22 mm (0.8")



## Zigbee Wireless Hub



### EXP-WHUB-ZB

Indoor Range: up to 30 ft. (10 m) with direct line of sight. For areas with weak signal, a stronger antenna must be considered  
 Operating Frequency: ISM 2.4 GHz\*  
 Receiver Sensitivity: -100 dBm  
 Readings from sensors: updated every 3 minutes  
 Power-down Current: 1 uA  
 Transmit / Receive Current: 31 mA  
 Wireless protocol: Zigbee  
 Wireless security: AES 128 bit encryption  
 Wireless sensors supported: maximum 30 logical sensors (temperature + humidity counts as 2 sensors)  
 Operating temperature range: 0°C to +75°C (32°F to +167°F)  
 Operating humidity range: < 90% RH (non-condensating)  
 Dimensions: 74 mm (2.9") x 66 mm (2.59") x 22 mm (0.8")

One Wireless Hub or any Extension modules may be used per Sensorgateway (base unit)



## Multi-Sensor & Hub

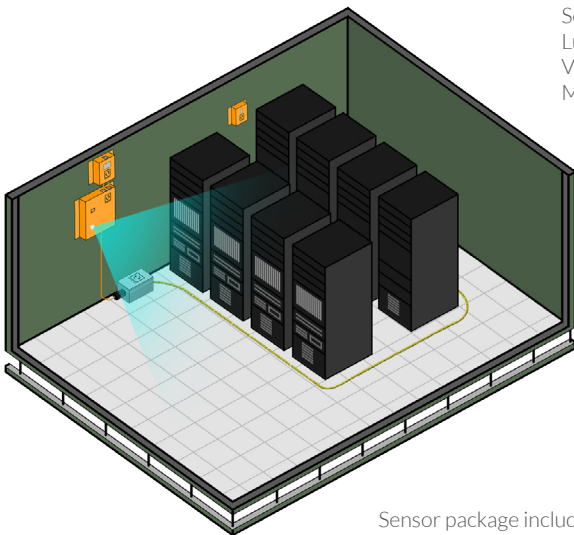


The unit features 10 sensor metrics on board that are most commonly required for monitoring remote cabinets and smaller server rooms:

- temperature
- humidity
- dew point
- shock
- sound
- motion
- power failure
- luminosity (light in Lux)
- smoke sensor
- water leak sensor & 6ft sensing cable

### EXP-4HUB

Expansion ports for external sensor probes:	4 digital and 1 analog sensor
Dry contact input ports:	8
Dry contact output ports:	4 (digital sink 100mA)
Auxillary supply:	maximum current capacity of 500mA at 9 to 12 VDC
Power consumption:	650 milliWatts
Dimensions:	160mm (6.3") x 165mm (6.5") x 60mm (2.4")
Housing:	Orange metal casing with one LED status indicators
Operating temperature range:	0°C to +75°C (32°F to +167°F) in PoE mode
Specifications of on board sensors:	
Temperature Resolution:	0.1°C (0.18)°F precision
Temperature Accuracy:	± 0.5°C (± 0.9 °F) over 0°C to +60°C
Readings in Celsius or Fahrenheit	
Relative Humidity Measurement Range:	0 to 100 % RH
Relative Humidity Resolution or precision:	0.1 % RH and 1 % RH
Relative Humidity Accuracy:	± 2 % RH between 10 % RH to 90 % RH and ± 4 % RH below 10 % RH and above 90 % RH
Relative Humidity Long Term Stability:	< 1 % RH/year
Sound (db) Resolution:	1 db precision
Luminosity Resolution:	0.5 Lux precision
Vibration unit:	G force
Minimum value:	1G



One Wireless Hub or any Extension modules may be used per Sensorgateway (base unit)  
Sensor package includes the EXP-4HUB, Smoke sensor (via dry contacts) and water leak sensor with leak sensing cable

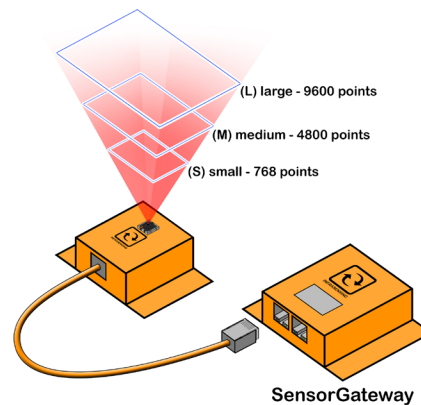


## Thermal Image Camera Sensor



ENV-THIMG-(S, M, L)

	<b>Small</b>	<b>Medium</b>	<b>Large</b>
Image Resolution			
Part Number	ENV-THIMG-S	ENV-THIMG-M	ENV-THIMG-L
Object Temperature	-40°C to 300°C	0°C to 120°C	0°C to 120°C
Thermal Image Size	768 pts (32 x 24 pixels)	4800 pts (80 x 60 pixels)	9600 pts (160 x 120 pixels)
Temperature Reporting	min & max temp	min & max temp	min & max temp
Horizontal Field of View	110° (wide)	51° (narrow)	56° (narrow)
Vertical Field of View	75°	63°	71°



## Daisy Chain Infrared Temperature Sensor

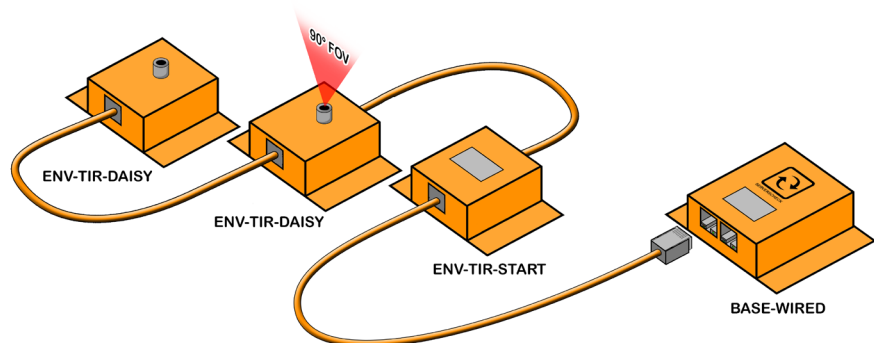


ENV-TIR-START



ENV-TIR-DAISY

Temperature object measurement range: -70°C to +380°C (-94°F to +716°F) in PoE mode  
 Temperature Accuracy: +/- 1°C from 0°C to +65°C / 32°F to 149°F  
 Field Of View (FOV): 90°  
 Distance: Can detect IR heat from up to approximately 30m/90ft  
 Readings: Celsius or Fahrenheit  
 Certified Operating temperature range: -40°C to +125°C (-40°F to +257°F) in PoE mode  
 Operating humidity range: < 90% rH (non-condensating)  
 Dimensions: 74 mm (2.9") x 66 mm (2.59") x 22 mm (0.8")  
 Housing: Orange metal case with status led  
 0U Rack mountable or Wall mountable  
 Maximum of 1x ENV-TIR-START sensor and 7x ENV-TIR-DAISY per SensorGateway





## Daisy Chain Temperature (Humidity) Sensor



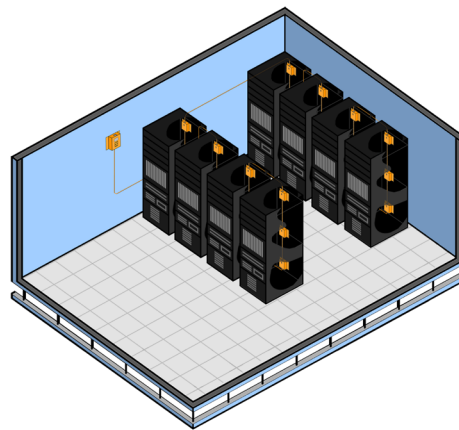
ENV-TEMP-START



ENV-TEMP-DAISY  
ENV-THUM-DAISY

Temperature Resolution:	0.1°C (0.18)°F precision
Temperature Accuracy:	±0.5°C (+/- 0.9 °F) from -10°C to +85°C / 14°F to 185°F
Temperature Reading:	-55°C to +125°C (-67°F to +257°F)
Readings in Celsius or Fahrenheit	
Certified SensorGateway	0°C to +75°C (32°F to +167°F)
operating temperature range:	in PoE mode
Operating humidity range:	< 90% rH (non-condensating)
Dimensions:	74 mm (2.9") x 66 mm (2.59") x 22 mm (0.8")
Housing:	Orange metal case with status led

OU Rack mountable  
Maximum of 1x ENV-TEMP-START sensor and 40x ENV-TEMP-DAISY (or 20 x ENV-THUM-DAISY) per SensorGateway



## Temperature & Humidity Sensor



ENV-THUM

Temperature Specs	
Resolution:	0.1°C / 0.18°F
Range:	0° to 70° C / 14°F to 185°F
Accuracy	± 0.5°C from 0°C to +60°C ± 1°F from 14°F to 185°F
Humidity Specs	
Resolution:	0.1% RH
Range:	0% to 100% RH
Accuracy:	± 2% between 10% and 90%RH ± 4% < 10% and > 90% RH

## Temperature Sensor



ENV-TEMP

Resolution:	0.1°C / 0.18°F
Range:	0°-70°C / 14°F to 185°F
Accuracy	± 0.5°C from -10°C to +85°C ± 1°F from 14°F to 185°F



# Temperature Sensors

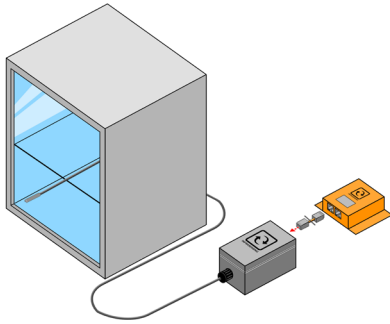


## Stainless Steel Temperature Sensor



### ENV-TSTAIN

Resolution: 0.1°C / 0.18°F  
Range: -55°C to +125°C / 14°F to 185°F  
Accuracy: ± 0.5°C from -10°C to +85°C  
± 1°F from 14°F to 185°F

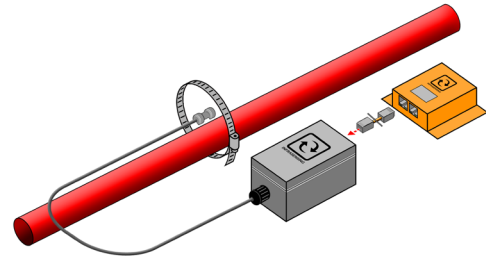


## Industrial Surface Temperature Sensor



### ENV-TSURFACE

Resolution: 0.1°C / 0.18°F  
Reading: -55°C to +125°C (-67°F to +257°F)  
Accuracy: ± 0.5°C (+/- 0.9 °F) from 0°C to +85°C  
± 1°C for other ranges



# Wireless Temperature Sensors

## Wireless Temperature & Humidity Sensor



### ENV-W-THUM

Temperature Resolution: 0.1°C (0.18)°F precision  
Temperature Accuracy: ± 0.5°C from -10°C to +85°C  
± 0.9°F from 14°F to 185°F  
Relative Humidity Measurement Range: 0 to 100 % RH  
Relative Humidity Precision: 0.1 % RH and 1 % RH  
Relative Humidity Accuracy: ± 2 % RH between 10 % RH to 90 % RH and ± 4 % RH below 10 % RH and above 90 % RH

## Wireless Temperature Sensor



### ENV-W-TEMP

Temperature Resolution: 0.1°C (0.18)°F precision  
Temperature Accuracy: ± 0.5°C from -10°C to +85°C  
± 0.9 °F from 14°F to 185°F  
Temperature Reading: -55°C to +125°C (-67°F to +257°F)

Readings in Celsius or Fahrenheit • Updated every 90 seconds • Battery life time: 1 year • Battery type: coin - CR2450 (not included)  
Digital wireless sensors provide a digital (numeric) reading of what has been measured. The sensors connect wireless (Zigbee 2.4Ghz) to the WirelessHub.



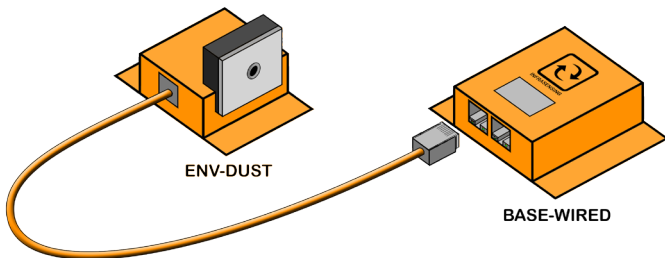
# Other Environmental Sensors

## Optical Dust Particle Sensor



### ENV-DUST

Method: Optical IR dust sensing  
 Range: 600  $\mu\text{g}/\text{m}^3$   
 Particle size: PM2.5 and PM10  
 Sensitivity: 100  $\mu\text{g}/\text{m}^3$



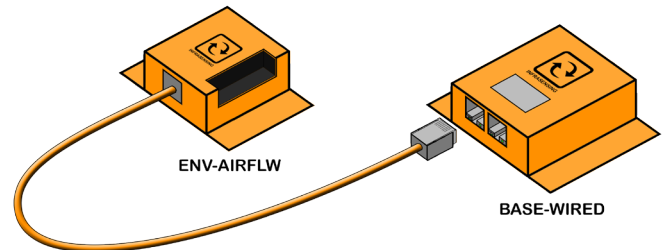
Not suitable for deployment in high risk areas.  
 For increased accuracy, consider deploying multiple sensors.

## Digital Airflow Sensor



### ENV-AIRFLW

Resolution: 0.1 m/s  
 Range: 0 m/s to 3 m/s  
 Accuracy:  $\pm 5\%$   
 Units: meters per second



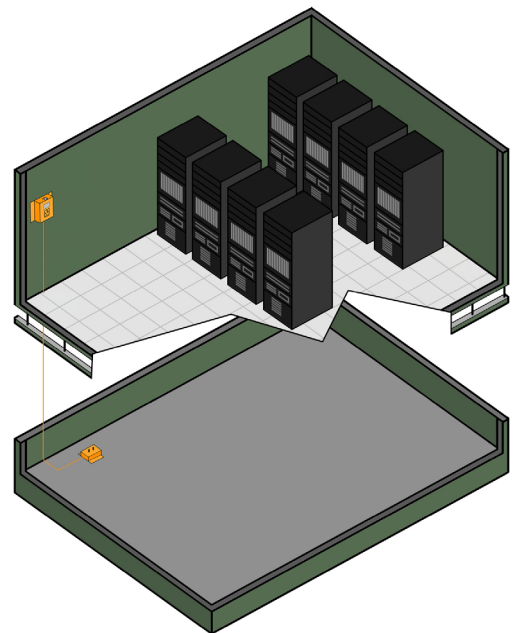
## Differential Air Pressure Sensor



### ENV-AIRPRESSURE

Operating temperature range: 0°C to +75°C (32°F to +167°F) in PoE mode  
 Operating humidity range: < 90% rH (non-condensating)  
 Dimensions: 70mm (2.7") x 88mm (3.4") x 22mm (0.8")  
 Housing: Orange metal casing with one LED status indicators

Digital air pressure meter  
 - Accuracy: 0.5 Pa  
 - Air Pressure Range: -500 to + 500 Pa  
 - Flow polling rate: min 1 second





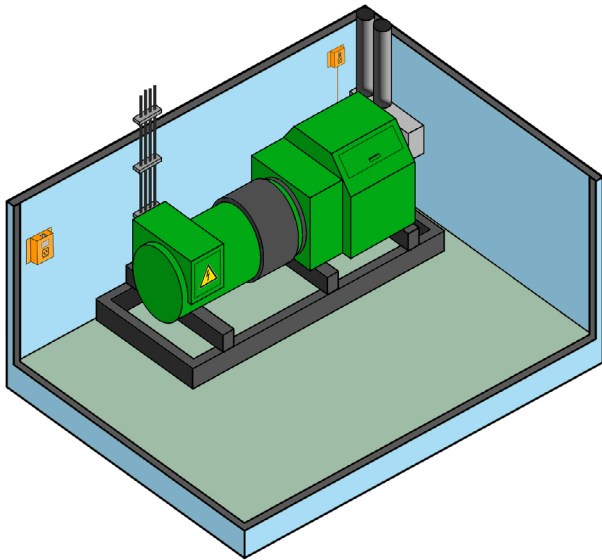


## Indoor Air Quality Sensor



### ENV-TVOC

Operating temperature range: 0 to 50°C  
Operating humidity range: 5 to 95% rH (non-condensating)  
Sensing range: 450 – 2000 ppm CO2 equivalents  
125 – 600 ppb TVOC equivalents

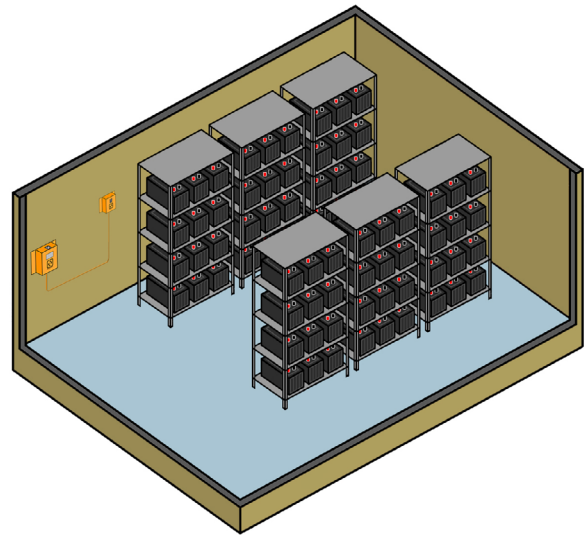


## Hydrogen (H2) Sensor



### ENV-H2

Operating temperature range: -40°C to +50°C (-40°F to +120°F)  
Operating humidity range: 10 to 90% rH (non-condensating)  
Pressure range: max 1100 HPa  
Dimensions: 74 mm x 66 mm x 22 mm (2.9" x 2.59" x 0.8")  
Housing: Orange metal case with status led





# Liquid Leak Sensors

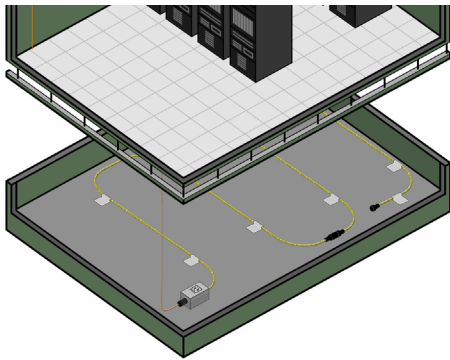
## Water Leak and Flooding Sensor



### ENV-WLEAK-COMBO

Result: Dry / Wet  
Cable length: 5m / 17ft

Cable can be extended to 100m (330ft)  
Provides a WET/DRY indication in SensorGateway



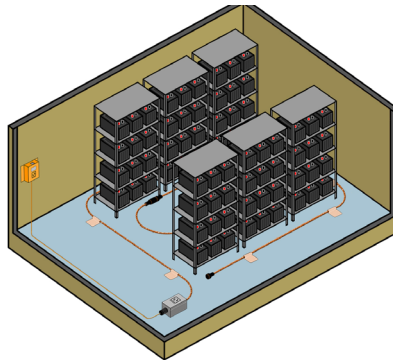
## Acid Battery Leak Sensor



### ENV-BLEAK-COMBO

Result: Dry / Wet  
Cable length: 6m / 20ft

Cable can be extended to 100ft (30m)  
Provides a WET/DRY indication in SensorGateway



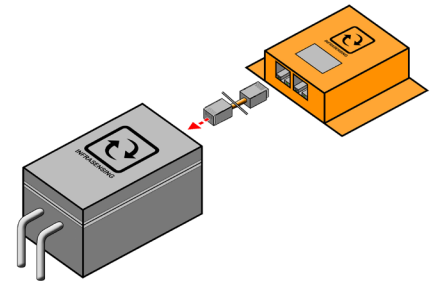
## Water Spot Sensor



### ENV-WSPOT

Result: Dry / Wet

This sensor requires a small level of water to be present to create the electrical field between the 2 metal rods for water to be detected.



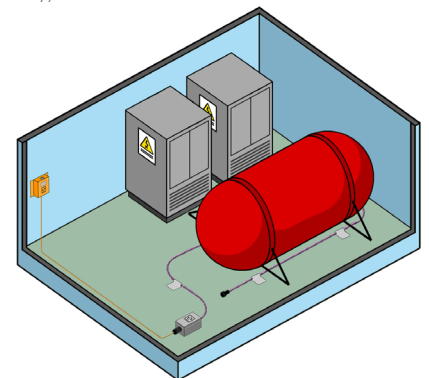
## Fuel Leak Detection Sensor

### ENV-FLEAK-COMBO

Operating temperature range: 0°C to +75°C (32°F to +167°F) in PoE mode  
Operating humidity range: < 90% rH (non-condensating)  
Sensor Housing Dimensions: 65mm (2.5") x 95mm (3.74") x 55mm (2.16")  
Sensor Housing Material: IP 65 plastic housing  
Fuel Leak Detection Cable: 6 meters / 20ft cable (single use only)

Cable can be extended to 100m (330ft)  
Cable cannot be reused after detection and should be replaced  
Provides a WET/DRY indication in SensorGateway

Fuel Type	Typical response time at 20°C (68°F)
#1 diesel fuel	60 minutes
#2 diesel fuel	120 minutes
Gasoline	12 minutes
JP5 jet fuel	70 minutes
JP8 jet fuel	50 minutes
Jet-A jet fuel	50 minutes





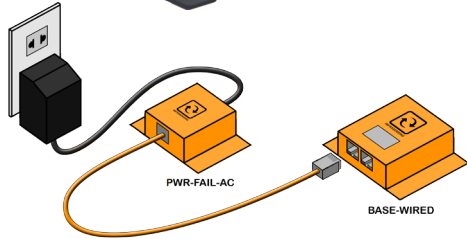
## AC Single Phase Sensors

### AC Power Failure Sensor



**PWR-FAIL-AC**

Provides a ON/OFF indication in SensorGateway



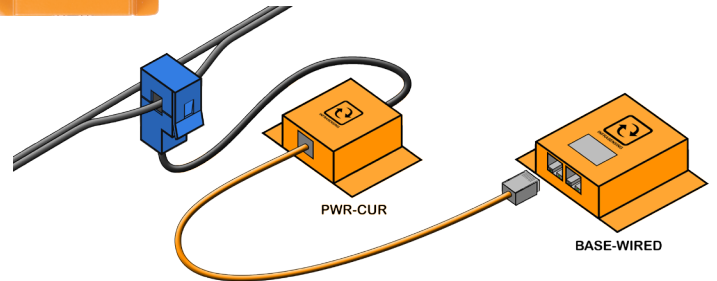
### AC Current Sensor



**PWR-CUR**

Input Current: 0-100A AC  
Non-linearity:  $\pm 3\%$

Resistance Grade B  
Readings in A (Ampere)  
Split Core Certification: CE, RoHS

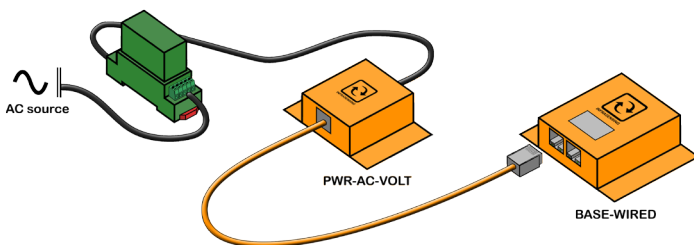


### AC Power Voltage Sensor



**PWR-AC-VOLT**

Non-linearity:  $\pm 3\%$   
Voltage: 0-500V AC  
Split Core Certification: CE, RoHS  
Operating humidity range:  $< 90\%$  rH (non-condensating)  
Dimensions: 74mm (2.9") x 66mm (2.59") x 22mm (0.8")  
Housing: Orange plastic case with status led  
OU Rack & DIN Rail mountable

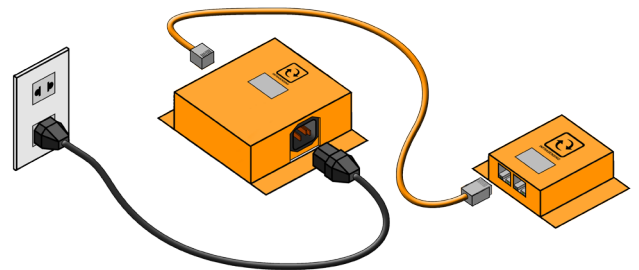


### Power Quality Sensor



**PWR-AC-QUAL**

Voltage: 100-240V AC Single Phase  
Operating Humidity Range:  $< 90\%$  rH (non-condensating)  
Dimensions: 135 mm (5.32") x 100 mm (3.94") x 40 mm (1.58")  
Housing: Orange metal case with status OLED display  
OU Rack & DIN Rail mountable





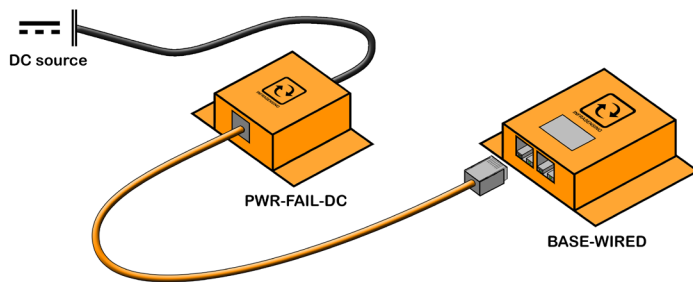
## DC Power Sensors

### DC Power Failure Sensor



PWR-FAIL-DC

Provides a ON/OFF indication in SensorGateway



### DC Power Voltage Sensor



PWR-DC-VOLT

Input Current: 0-300A DC  
with optional PWR-DC-TRANS

Non-linearity: +/- 3%

Voltage Range: 0-56V DC

Current Accuracy: 1A

Readings in A (Ampere), V, W & kWh

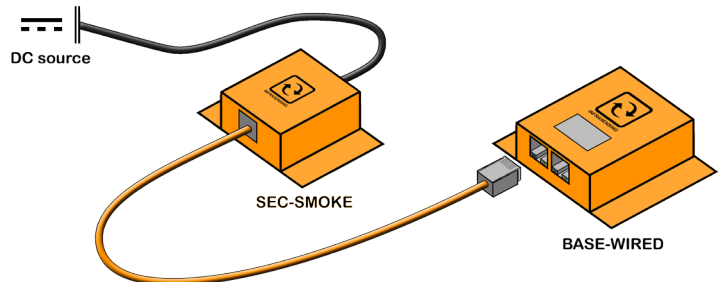
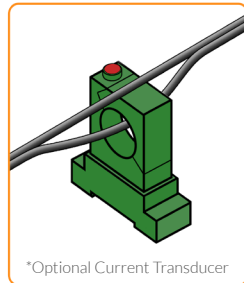
Split Core Certification: CE, RoHS

Operating humidity range: < 90% rH (non-condensating)

Dimensions: 74 mm x 66 mm x 22 mm  
(2.9" x 2.59" x 0.8")

Housing: Orange plastic case with status led

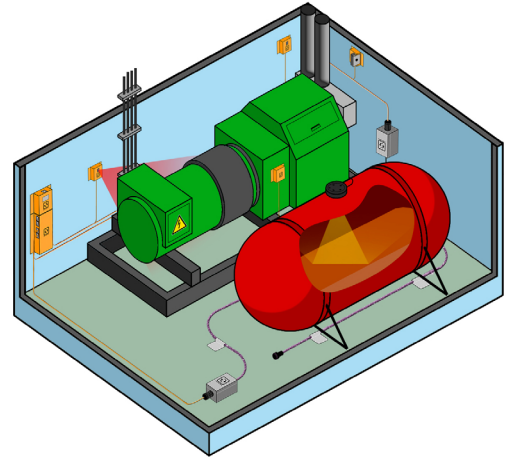
OU Rack & DIN Rail mountable







## Ultrasonic Fuel Level Sensor



### PWR-FUEL

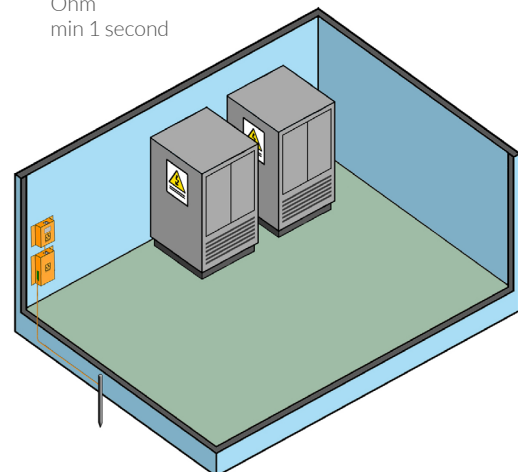
Sensor Temperature Operating Range: 4°C to 65°C (39F to 148F)  
Measurement method: Acoustic sonic measurement  
Tank depth: 0-2000 mm (6.5 ft)  
Accuracy Distance: 0-2000 mm (6.5 ft) at 2 mm accuracy  
Mounting: SAE 5 stud mounting pattern with gasket, seal and screws (top mount only)  
Environmental temperature: 4-65 deg C  
Chemical resistance: Petrol, diesel  
Tank type style: Metal and plastic with non linear capacity

## Ground Monitoring



### PWR-GROUND

Operating temperature range: 0°C to +75°C (32°F to +167°F) in PoE mode  
Operating humidity range: < 90% rH (non-condensating)  
Dimensions: 70mm (2.7") x 88mm (3.4") x 22mm (0.8")  
Housing: Orange metal casing with LED status indicators  
7x ground metering points  
Resolution: 1 Ohm  
Range: 0-1000 Ohm  
Accuracy: ± 5%  
Units: Ohm  
Contact polling rate: min 1 second  
Requires use of fuse cables





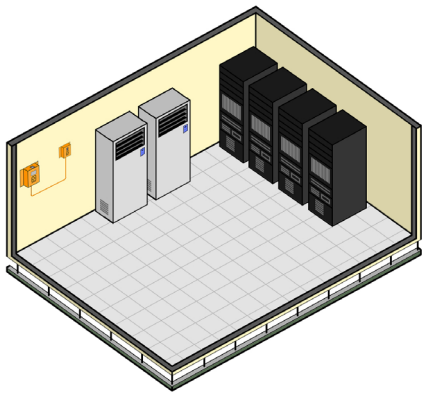
# Security Sensors

## Sound & Noise Level Sensor



### SEC-SOUND

Resolution: 0.01db  
 Range: 10 to 90db  
 Accuracy: 1 dB

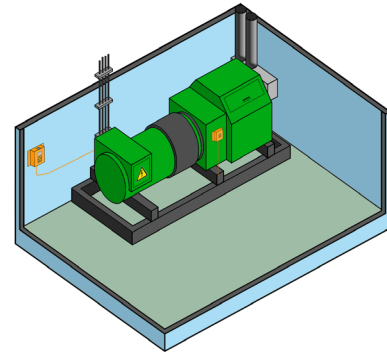


## Digital Shock / Vibration Sensor



### SEC-SHOCK

Vibration unit: G force  $\pm 2G$   
 Nominal value: 1G  
 Sensor sensitivity: 0.18G  
 Dimensions: 74mm (2.9") x 66mm (2.59") x 22mm (0.8")  
 Housing: Orange metal case with status led  
 0U Rack mountable

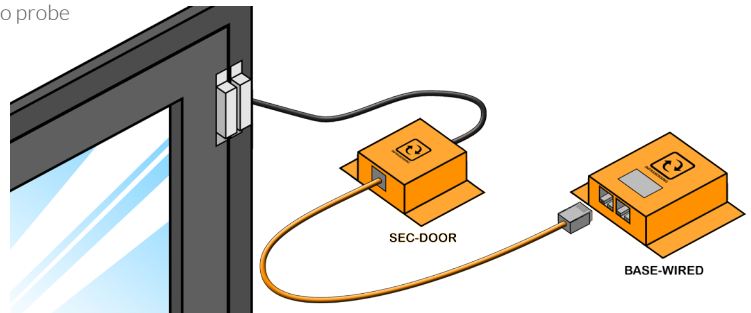


## Door Contact Sensor



### SEC-DOOR

Magnetic door contact sensor with self-adhesive or screw mount  
 Returns OPEN or CLOSE state  
 0.15" (0.4m) cable from door contact to probe





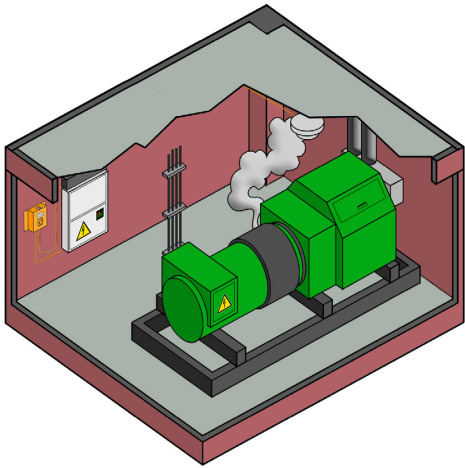


## Smoke Sensor



### SEC-SMOKE

Photoelectric smoke detection  
Built-in Drift Compensation Reduces False Alarms  
Self-diagnostics Meets NFPA 72 Sensitivity Testing Requirements without the Need for External Meters

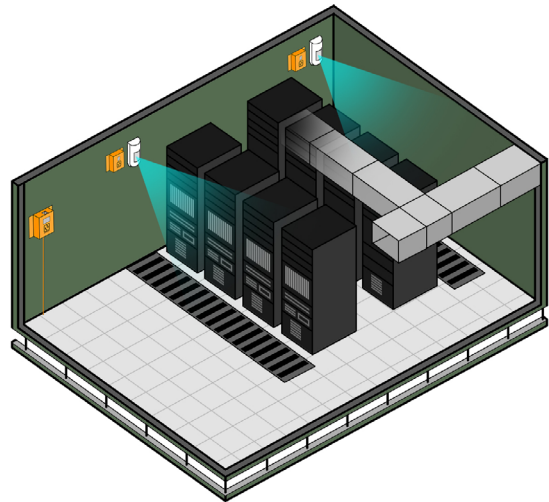


## Motion Sensor



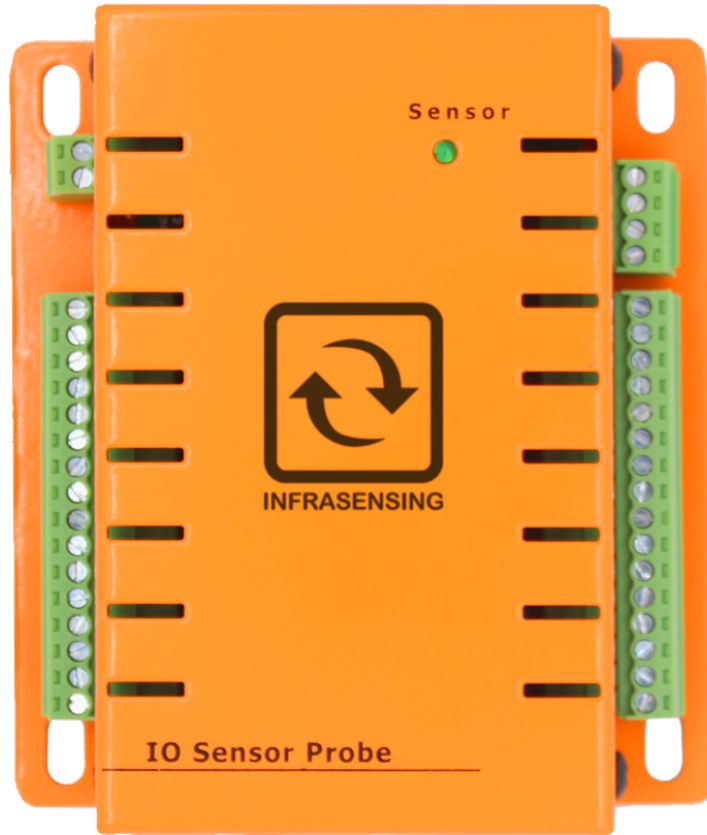
### SEC-MOTION

Radiated RF immunity:	20 V/m with 80% AM over range, 27MHz to 1.0GHz
Conducted RF immunity:	10V with 80% AM over range 150kHz to 80MHz
Static immunity:	15 kV
Transient immunity:	2.4 kV @ 1.2 joules
Walk detection speed:	0.5/s to 10/s (0.15 m/s to 3 m/s)
Coverage angle (wall/wall lens):	100 maximum
Vertical adjustment:	+2 to -5
Mounting heights:	7' to 10.5' / 2.1m to 3.2m (nominal 7.5' / 2.3m)



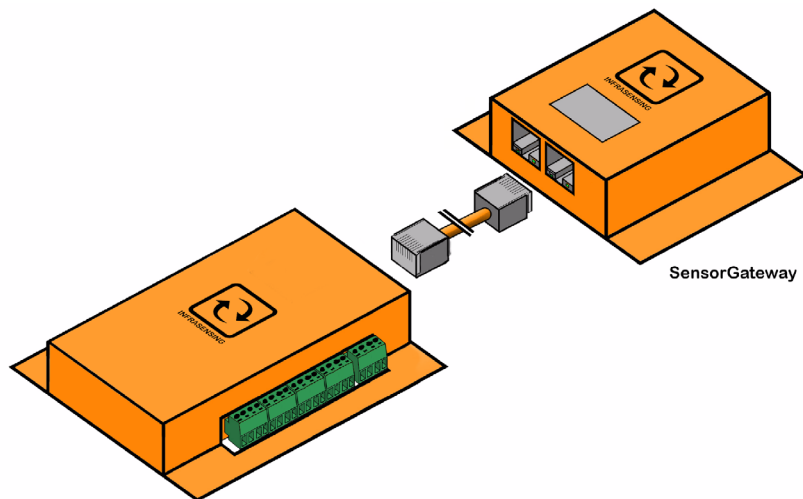


## IO - Dry Contact Sensor



### IND-IO

- 2x 8 dry contact inputs
- 4 dry contact outputs
- 12 VDC power out to power attached devices: max 7
- Contact polling rate: min 1



Requires the SensorGateway v4 or higher to operate • max 1 (one) IO Sensor Probe per SensorGateway

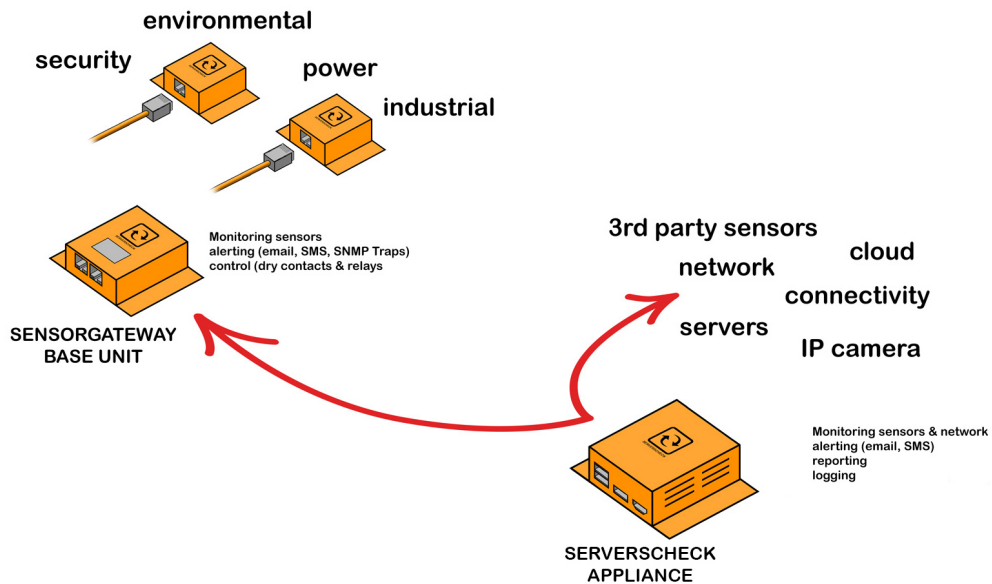


## On-Premises Appliance



### MON-APPLIANCE

Processor:	Intel Atom
Memory:	4GB
Storage:	64GB SSD
Network:	GB Ethernet & WiFi
Screen:	
Operating System:	Windows 10 Enterprise
Software:	ServersCheck Monitoring Software
Mount:	rack & DIN rail
AC/DC Power:	✓
PoE powered:	optional





## PRICE QUOTE & ORDER FORM

SKU	Name	Quantity
<b>Base Unit</b>		
BASE-WIRED	SensorGateway	
BASE-PWR	Power Adapter for SensorGateway	
BASE-PWR-USB	USB Power Cable for Sensorgateway	
<b>Add-Ons</b>		
ADDON-CELLALERT	Cellular Alerting & GPS Add-On	
ADDON-WIFI	Wifi Add-On	
ADDON-POE-24	+24v DC Power Add-On	
ADDON-POE-48	-48v DC Power Add-On	
<b>Expansion Hubs</b>		
EXP-8HUB	SensorHub for SensorGateway	
EXP-4HUB	Multi-Sensor & Hub	
EXP-WHUB-ZB	Zigbee Wireless Hub	

SKU	Name	Quantity
<b>Monitoring Platform</b>		
MON-APPLIANCE	ServersCheck Appliance with Monitoring Software	
MON-SOFTWARE	Monitoring Software Only (to run on your own systems)	

SKU	Name	Quantity
<b>Sensors</b>		
ENV-THIMG-S	Thermal Imaging Sensor (small)	
ENV-THIMG-M	Thermal Imaging Sensor (medium)	
ENV-THIMG-L	Thermal Imaging Sensor (Large)	
ENV-TIR-START	IR Temperature Sensor Start Unit	
ENV-TIR-DAISY	IR Temperature Sensor Daisy Chained Unit	
ENV-THUM	Temperature and Humidity Sensor	
ENV-TEMP	Temperature Sensor	
ENV-TEMP-START	Daisy Chain Temperature Sensor Start Unit	
ENV-TEMP-DAISY	Daisy Chained Temperature Sensor Probe	
ENV-TSTAIN	Stainless Steel Temperature Sensor	
ENV-TSURFACE	Industrial Surface Temperature Sensor	
ENV-AIRFLW	Digital Airflow Sensor	
ENV-DUST	Optical Dust Particle Sensor	
ENV-WLEAK-COMBO	Water Detection & Flooding Sensor	
ENV-WLEAK-5M	Water Detection & Flooding Cable	
ENV-FLEAK-COMBO	Fuel Leak Detection Sensor	
ENV-FLEAK-6M	Fuel Leak Detection Cable	
ENV-WSPOT	Water Spot Sensor	
ENV-W-THUM	Wireless Temperature & Humidity Sensor	
ENV-W-TEMP	Wireless Temperature Sensor	
ENV-H2	Hydrogen (H2) Sensor	
ENV-TVOC	Indoor Air Quality Sensor	
ENV-BLEAK-COMBO	Battery Leak Sensor Probe	
ENV-BLEAK-6M	Battery Leak Detection Cable	
PWR-CUR	AC Current (Power Usage) Sensor	
PWR-FAIL-AC	AC Power Failure Sensor	
PWR-FAIL-DC	DC Power Failure Sensor	
PWR-AC-VOLT	AC Power Voltage (0-500v)	
PWR-DC-VOLT with PWR-DC-TRANS	DC Power Voltage (0-50v) & Current	
PWR-FUEL	Ultrasonic Fuel Level Sensor	
PWR-GROUND	Grounding Sensor	
SEC-DOOR	Door Contact Sensor	
SEC-SHOCK	Digital Shock / Vibration Sensor	
SEC-SOUND	Digital Sound Metering (db) Sensor	
SEC-SMOKE	Smoke Sensor	
SEC-MOTION	Motion Sensor	
IND-IO	IO - Dry Contact Sensor	



## 1 - FILL IN THE QUANTITIES NEEDED PER SKU ON THE PREVIOUS PAGE

## 2 - BILLING ADDRESS

Billing information		
Company Name :		
First & Last Name :		
Street address :		
ZIP, city :	State:	Country :
VAT Number (EU Only) :	PO Number :	
Phone :	Email :	

## 3 - SHIPPING ADDRESS

Billing information		
Company Name :		
First & Last Name :		
Street address :		
ZIP, city :	State:	Country :
Phone :	Email :	

## 4 - PRICE QUOTE OR ORDER

SEND ME A PRICE QUOTE

ORDER

## 5 - ORDER APPROVAL (leave blank for price quotes only)

Authorize your order
Signature :
First name & last name :
Job title:

## 6 - SEND THIS FORM

You can send this form by email to [hello@serverscheck.com](mailto:hello@serverscheck.com) or by fax to +1-800-520-4393  
Please allow 2-3 business days for processing your form.